



METATM **Arc**
by *WillowWood*

Instructions for Use

Be sure to train the patient in the proper use and care of this product.

Device Description

The META Arc is a prosthetic foot that features revolutionary design and construction. The device is designed for non-invasive, single patient use.

META UNIBODY COMPOSITE

- The heel and keel sections of the foot merge into a one-piece construction that is free of secondary fasteners. This eliminates excess weight, bolts, and weakened attachment points.
- The unibody design harnesses maximum (i) energy storage and (ii) energy return from the heel and keel's full length.
- A split keel design allows forefoot adaptability and use of sandal toe footwear.

ARC TITANIUM ANKLE

- A polycentric joint allows multiple axes of rotation and translational movement – an arc of motion. This functionality mimics anatomical roll and glide that enhances coronal plane stability.
- Polycentric rotation and translation improves balance in comparison to single axis kinematics.
- Polycentric ankle motion stabilizes socket and joint forces caused by terrain and movement.
- Titanium hardware assures durable, lightweight performance.

WATERPROOF

- The META unibody composite foot and the Arc titanium ankle are designed to be waterproof.

The META Arc offers class-leading stability, performance, and value.

WHAT'S IN THE BOX

- META Arc
- Spectra Sock
- Instructions
- Patient Advisory Warning



ADDITIONAL MATERIALS REQUIRED

- Sandal Toe Foot Shell
- Loctite 242 (or equivalent)



Indications for Use

Lower extremity prosthesis users

K3/K4

New prosthesis users

Rehabilitative tool

Gait therapy

Community walkers

Grass, sand, gravel, slopes, ramps, inclines, and undulating surfaces

Outdoor enthusiasts

Minimum build height 113 mm (4.4" in)

Patient weight (weight of user plus any loads carried) under 166 kg (365 lb)

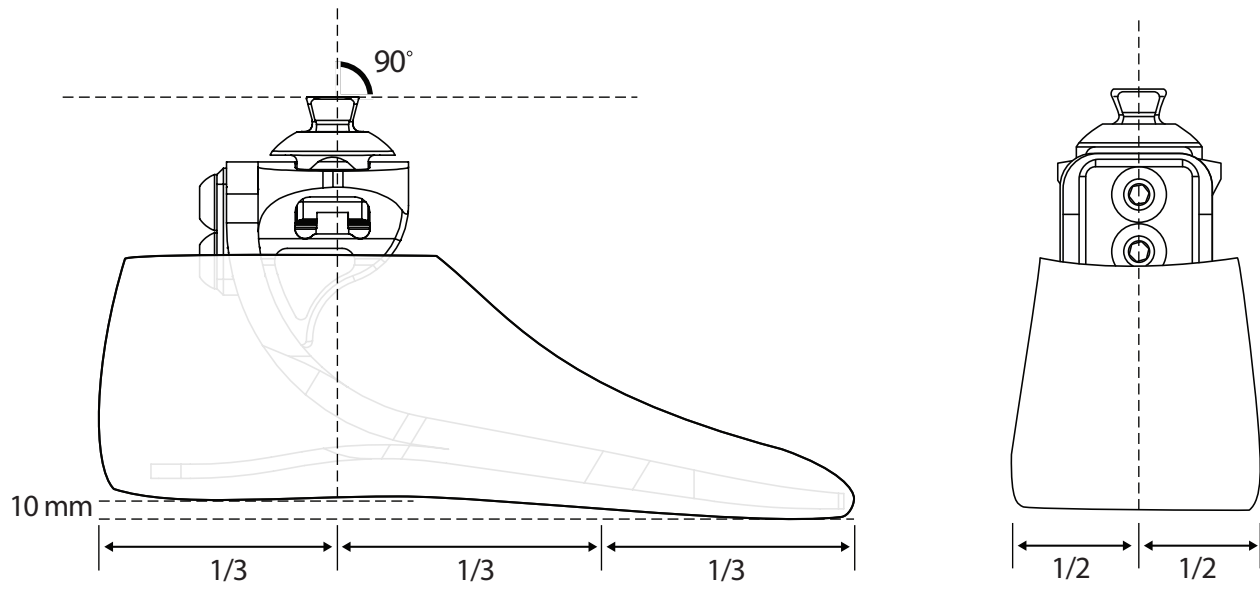
Contraindications for Use

Patients who do not have clearance for the META Arc.

The META Arc is not intended for use during high impact sports.

The Range of Motion provided by the ankle may be diminished if a continuous cosmetic cover is applied.

Alignment



BENCH ALIGNMENT

With the socket held in the appropriate flexion and adduction angles and foot placed at the appropriate heel height for the user's shoe, place the foot such that the weight line, when viewed from the coronal plane, bisects the pyramid. When viewed from the sagittal plane, the weight line should fall at the intersection of the posterior 1/3 and anterior 2/3 of the foot.

During static alignment, the pyramid should remain centered in the ankle cradle. If the Pyramid assembly has already started to rotate, the user will not retain the full benefit of the entire available range of motion in the direction the rotation has occurred.

Dynamic alignment should be optimized by translating or adjusting the relative angles of the META Arc foot to allow a smooth transition from heel to toe.

Technical Specifications

HEEL HEIGHT	BUILD HEIGHT	SIZES	PATIENT WEIGHT LIMIT	TOE STIFFNESS	WEIGHT*	COLORS**
10 mm (3/8")	113 mm (4.4")	22 cm through 28 cm	166 kg (365 lbs)	1 through 9	718 g with sock and cover	Buff, Tan, Medium Brown

* Weight based on 26 cm cat 5

** Colors differ from traditional WillowWood cover color

Selection Chart

Weight (kg)	45-51	52-58	59-67	68-76	77-87	88-99	100-115	116-130	131-147	148-165
Weight (lb)	99-115	116-130	131-150	151-170	171-194	195-221	222-256	257-287	288-324	325-365
LOW ACTIVITY										
Sizes 22-24 cm	1	1	2	3	4	5	-	-	-	-
Sizes 25-27 cm	1	1	2	3	4	5	6	7	8	9
Size 28 cm	1	1	2	3	4	5	6	7	8	9
MEDIUM ACTIVITY										
Sizes 22-24 cm	1	2	3	4	5	-	-	-	-	-
Sizes 25-27 cm	1	2	3	4	5	6	7	8	9	-
Size 28 cm	1	2	3	4	5	6	7	8	9	-
HIGH ACTIVITY										
Sizes 22-24 cm	2	3	4	5	-	-	-	-	-	-
Sizes 25-27 cm	2	3	4	5	6	7	8	9	-	-
Size 28 cm	2	3	4	5	6	7	8	9	-	-

Part Number List

META ARC PART NUMBER

MØØ2-XXY-ØZ

XX - Size (22-28)
Y - Side (L or R)
Z - Category (1-9)

FOOT SHELL PART NUMBER

FSØ1-XXY-Z

XX - Size (22-28)
Y - Side (L or R)
Z - Color (B, T, or M)

META ARC

Part Number	Description
M002-22L-01	META Arc Foot Module 22cm Left Category 1
M002-22L-02	META Arc Foot Module 22cm Left Category 2
M002-22L-03	META Arc Foot Module 22cm Left Category 3
M002-22L-04	META Arc Foot Module 22cm Left Category 4
M002-22L-05	META Arc Foot Module 22cm Left Category 5
M002-22R-01	META Arc Foot Module 22cm Right Category 1
M002-22R-02	META Arc Foot Module 22cm Right Category 2
M002-22R-03	META Arc Foot Module 22cm Right Category 3
M002-22R-04	META Arc Foot Module 22cm Right Category 4
M002-22R-05	META Arc Foot Module 22cm Right Category 5
M002-23L-01	META Arc Foot Module 23cm Left Category 1
M002-23L-02	META Arc Foot Module 23cm Left Category 2
M002-23L-03	META Arc Foot Module 23cm Left Category 3
M002-23L-04	META Arc Foot Module 23cm Left Category 4
M002-23L-05	META Arc Foot Module 23cm Left Category 5
M002-23R-01	META Arc Foot Module 23cm Right Category 1
M002-23R-02	META Arc Foot Module 23cm Right Category 2
M002-23R-03	META Arc Foot Module 23cm Right Category 3
M002-23R-04	META Arc Foot Module 23cm Right Category 4
M002-23R-05	META Arc Foot Module 23cm Right Category 5
M002-24L-01	META Arc Foot Module 24cm Left Category 1
M002-24L-02	META Arc Foot Module 24cm Left Category 2
M002-24L-03	META Arc Foot Module 24cm Left Category 3
M002-24L-04	META Arc Foot Module 24cm Left Category 4
M002-24L-05	META Arc Foot Module 24cm Left Category 5
M002-24R-01	META Arc Foot Module 24cm Right Category 1
M002-24R-02	META Arc Foot Module 24cm Right Category 2
M002-24R-03	META Arc Foot Module 24cm Right Category 3
M002-24R-04	META Arc Foot Module 24cm Right Category 4
M002-24R-05	META Arc Foot Module 24cm Right Category 5

CORRESPONDING FOOT SHELL

Part Number	Description
FS01-22LB	Sandal Toe Foot Shell 22cm Left Buff
FS01-22LT	Sandal Toe Foot Shell 22cm Left Tan
FS01-22LM	Sandal Toe Foot Shell 22cm Left Medium Brown
FS01-22RB	Sandal Toe Foot Shell 22cm Right Buff
FS01-22RT	Sandal Toe Foot Shell 22cm Right Tan
FS01-22RM	Sandal Toe Foot Shell 22cm Right Medium Brown
FS01-23LB	Sandal Toe Foot Shell 23cm Left Buff
FS01-23LT	Sandal Toe Foot Shell 23cm Left Tan
FS01-23LM	Sandal Toe Foot Shell 23cm Left Medium Brown
FS01-23RB	Sandal Toe Foot Shell 23cm Right Buff
FS01-23RT	Sandal Toe Foot Shell 23cm Right Tan
FS01-23RM	Sandal Toe Foot Shell 23cm Right Medium Brown
FS01-24LB	Sandal Toe Foot Shell 24cm Left Buff
FS01-24LT	Sandal Toe Foot Shell 24cm Left Tan
FS01-24LM	Sandal Toe Foot Shell 24cm Left Medium Brown
FS01-24RB	Sandal Toe Foot Shell 24cm Right Buff
FS01-24RT	Sandal Toe Foot Shell 24cm Right Tan
FS01-24RM	Sandal Toe Foot Shell 24cm Right Medium Brown

(continued on next page)

Part Number List (continued)

META ARC	
Part Number	Description
M002-25L-01	META Arc Foot Module 25cm Left Category 1
M002-25L-02	META Arc Foot Module 25cm Left Category 2
M002-25L-03	META Arc Foot Module 25cm Left Category 3
M002-25L-04	META Arc Foot Module 25cm Left Category 4
M002-25L-05	META Arc Foot Module 25cm Left Category 5
M002-25L-06	META Arc Foot Module 25cm Left Category 6
M002-25L-07	META Arc Foot Module 25cm Left Category 7
M002-25L-08	META Arc Foot Module 25cm Left Category 8
M002-25L-09	META Arc Foot Module 25cm Left Category 9
M002-25R-01	META Arc Foot Module 25cm Right Category 1
M002-25R-02	META Arc Foot Module 25cm Right Category 2
M002-25R-03	META Arc Foot Module 25cm Right Category 3
M002-25R-04	META Arc Foot Module 25cm Right Category 4
M002-25R-05	META Arc Foot Module 25cm Right Category 5
M002-25R-06	META Arc Foot Module 25cm Right Category 6
M002-25R-07	META Arc Foot Module 25cm Right Category 7
M002-25R-08	META Arc Foot Module 25cm Right Category 8
M002-25R-09	META Arc Foot Module 25cm Right Category 9
M002-26L-01	META Arc Foot Module 26cm Left Category 1
M002-26L-02	META Arc Foot Module 26cm Left Category 2
M002-26L-03	META Arc Foot Module 26cm Left Category 3
M002-26L-04	META Arc Foot Module 26cm Left Category 4
M002-26L-05	META Arc Foot Module 26cm Left Category 5
M002-26L-06	META Arc Foot Module 26cm Left Category 6
M002-26L-07	META Arc Foot Module 26cm Left Category 7
M002-26L-08	META Arc Foot Module 26cm Left Category 8
M002-26L-09	META Arc Foot Module 26cm Left Category 9
M002-26R-01	META Arc Foot Module 26cm Right Category 1
M002-26R-02	META Arc Foot Module 26cm Right Category 2
M002-26R-03	META Arc Foot Module 26cm Right Category 3
M002-26R-04	META Arc Foot Module 26cm Right Category 4
M002-26R-05	META Arc Foot Module 26cm Right Category 5
M002-26R-06	META Arc Foot Module 26cm Right Category 6
M002-26R-07	META Arc Foot Module 26cm Right Category 7
M002-26R-08	META Arc Foot Module 26cm Right Category 8
M002-26R-09	META Arc Foot Module 26cm Right Category 9

CORRESPONDING FOOT SHELL	
Part Number	Description
FS01-25LB	Sandal Toe Foot Shell 25cm Left Buff
FS01-25LT	Sandal Toe Foot Shell 25cm Left Tan
FS01-25LM	Sandal Toe Foot Shell 25cm Left Medium Brown
FS01-25RB	Sandal Toe Foot Shell 25cm Right Buff
FS01-25RT	Sandal Toe Foot Shell 25cm Right Tan
FS01-25RM	Sandal Toe Foot Shell 25cm Right Medium Brown
FS01-26LB	Sandal Toe Foot Shell 26cm Left Buff
FS01-26LT	Sandal Toe Foot Shell 26cm Left Tan
FS01-26LM	Sandal Toe Foot Shell 26cm Left Medium Brown
FS01-26RB	Sandal Toe Foot Shell 26cm Right Buff
FS01-26RT	Sandal Toe Foot Shell 26cm Right Tan
FS01-26RM	Sandal Toe Foot Shell 26cm Right Medium Brown

(continued on next page)

Part Number List (continued)

META ARC	
Part Number	Description
M002-27L-01	META Arc Foot Module 27cm Left Category 1
M002-27L-02	META Arc Foot Module 27cm Left Category 2
M002-27L-03	META Arc Foot Module 27cm Left Category 3
M002-27L-04	META Arc Foot Module 27cm Left Category 4
M002-27L-05	META Arc Foot Module 27cm Left Category 5
M002-27L-06	META Arc Foot Module 27cm Left Category 6
M002-27L-07	META Arc Foot Module 27cm Left Category 7
M002-27L-08	META Arc Foot Module 27cm Left Category 8
M002-27L-09	META Arc Foot Module 27cm Left Category 9
M002-27R-01	META Arc Foot Module 25cm Right Category 1
M002-27R-02	META Arc Foot Module 27cm Right Category 2
M002-27R-03	META Arc Foot Module 27cm Right Category 3
M002-27R-04	META Arc Foot Module 27cm Right Category 4
M002-27R-05	META Arc Foot Module 27cm Right Category 5
M002-27R-06	META Arc Foot Module 27cm Right Category 6
M002-27R-07	META Arc Foot Module 27cm Right Category 7
M002-27R-08	META Arc Foot Module 27cm Right Category 8
M002-27R-09	META Arc Foot Module 27cm Right Category 9
M002-28L-01	META Arc Foot Module 28cm Left Category 1
M002-28L-02	META Arc Foot Module 28cm Left Category 2
M002-28L-03	META Arc Foot Module 28cm Left Category 3
M002-28L-04	META Arc Foot Module 28cm Left Category 4
M002-28L-05	META Arc Foot Module 28cm Left Category 5
M002-28L-06	META Arc Foot Module 28cm Left Category 6
M002-28L-07	META Arc Foot Module 28cm Left Category 7
M002-28L-08	META Arc Foot Module 28cm Left Category 8
M002-28L-09	META Arc Foot Module 28cm Left Category 9
M002-28R-01	META Arc Foot Module 28cm Right Category 1
M002-28R-02	META Arc Foot Module 28cm Right Category 2
M002-28R-03	META Arc Foot Module 28cm Right Category 3
M002-28R-04	META Arc Foot Module 28cm Right Category 4
M002-28R-05	META Arc Foot Module 28cm Right Category 5
M002-28R-06	META Arc Foot Module 28cm Right Category 6
M002-28R-07	META Arc Foot Module 28cm Right Category 7
M002-28R-08	META Arc Foot Module 28cm Right Category 8
M002-28R-09	META Arc Foot Module 28cm Right Category 9

CORRESPONDING FOOT SHELL	
Part Number	Description
FS01-27LB	Sandal Toe Foot Shell 27cm Left Buff
FS01-27LT	Sandal Toe Foot Shell 27cm Left Tan
FS01-27LM	Sandal Toe Foot Shell 27cm Left Medium Brown
FS01-27RB	Sandal Toe Foot Shell 27cm Right Buff
FS01-27RT	Sandal Toe Foot Shell 27cm Right Tan
FS01-27RM	Sandal Toe Foot Shell 27cm Right Medium Brown
FS01-28LB	Sandal Toe Foot Shell 28cm Left Buff
FS01-28LT	Sandal Toe Foot Shell 28cm Left Tan
FS01-28LM	Sandal Toe Foot Shell 28cm Left Medium Brown
FS01-28RB	Sandal Toe Foot Shell 28cm Right Buff
FS01-28RT	Sandal Toe Foot Shell 28cm Right Tan
FS01-28RM	Sandal Toe Foot Shell 28cm Right Medium Brown

Maintenance and Cleaning

The Foot Shell can be cleaned with body soap and a damp cloth.

If you expose the META Arc Foot to sand, dirt, debris, or salt water:

1. Remove the Foot Shell and Foot Sock.
2. Clean out the sand/debris.
3. Clean the META Arc Foot, the Foot Shell, and the Foot Sock with body soap and water.
4. Allow the Foot Shell and Foot Sock to dry before reassembling.

If excessive debris is noticed within the META Arc ankle unit, you can rinse with fresh water or compressed air to remove the debris. It may help to use your hand to rotate the ankle unit while rinsing with fresh water or blowing air.

The ankle unit is not field serviceable, and there is no recommended maintenance schedule.

Patient Advisory Warning

The enclosed Patient Advisory Warning enables you, the prosthetist, to effectively notify your patients of the limitations of the components in their prosthesis, and of the need to monitor their weight and activity levels. Please review the Patient Advisory Warning with the patient upon delivery of a prosthesis with a META Arc Foot. The patient and the prosthetist should then sign the Patient Advisory Warning to acknowledge that it has been reviewed and understood by both parties. Give one signed copy to the patient and place one copy in the patient's file.

If a patient's weight or activity level increases after receiving a prosthesis with a META Arc Foot, the patient should immediately contact the prosthetist to determine whether replacement components are necessary. If a patient continues to use a prosthesis with a META Arc Foot after experiencing an increase in weight and/or activity level, the foot could fail with the possibility of serious injury to the patient.

To ensure that the correct components are selected for each patient, the prosthetist should weigh the patient on scales in the prosthetist's office. Do not rely on the patient's estimate of his/her own weight. Instruct the patient to monitor his/her weight weekly to ensure that it remains in a range appropriate for the prosthetic components being used.

Warranty

The warranty for the META Arc Foot is three years from date of patient fitting. Use of the META Arc Foot for amputees whose modified body weight is more than 166 kg (365 lbs) or who engage in extremely high and abusive activity is against WillowWood's recommendations and will void the three year warranty. Modified body weight is defined as the weight of the amputee plus any loads carried by the amputee. "Extremely high and abusive activities" are defined as activities such as skydiving, karate, and judo; activities that could result in injury to an individual's natural feet; and activities that expose the prosthesis to corrosives such as salt water without adequate rinsing following exposure.

Warranty Disclaimer

WillowWood warrants that each product manufactured will, at the time of delivery, be of workmanlike quality and substantially free of defects. WILLOWWOOD MAKES NO OTHER WARRANTY, IMPLIED, OR EXPRESSED, AND MAKES NO WARRANTY OF MERCHANTABILITY OR FITNESS FOR A PARTICULAR PURPOSE. This warranty shall terminate immediately upon an action to combine our products with other materials or in any manner to change the nature of our products. The sole remedy is replacement of the products or credit for the products. WillowWood's liability shall not exceed the purchase price of the product. WillowWood shall not be liable for any indirect, incidental, or consequential damage.

WillowWood Retention of Rights

WillowWood retains all intellectual property rights reflected or incorporated in its physical products, regardless of the transfer of the physical products to another party or parties.

WillowWood[®]

WillowWood Global LLC
15441 Scioto Darby Road
Mt. Sterling, OH 43143
Phone 740.869.3377 / 800.848.4930
Fax 740.869.4374 www.willowwood.com



Ohio Willow Wood Company B.V.
Keizersgracht 62/64
1015 CS Amsterdam
The Netherlands
Patent www.willowwood.com/education-and-resources/patents



©WillowWood Global LLC, 2021 PN 2654-A



METATM **Arc**
de *WillowWood*

Instrucciones de uso

Instruya al paciente sobre el uso y mantenimiento adecuados de este producto.

Descripción del dispositivo

El META Arc es un pie protésico que presenta un diseño y construcción revolucionarios. El dispositivo está diseñado para uso no invasivo en un solo paciente.

UNI CUERPO DE COMPOSITE META

- Las secciones de talón y quilla del pie se combinan en una construcción de una sola pieza sin elementos de fijación secundarios. Esto elimina el exceso de peso, tornillos y puntos de sujeción debilitados.
- El diseño monocasco permite aprovechar el máximo (i) almacenamiento de energía y (ii) retorno de energía proveniente del talón y la longitud completa de la quilla.
- El diseño de quilla dividida permite la adaptabilidad de la parte delantera del pie y el uso de calzado tipo sandalia.

TOBILLO DE TITANIO ARC

- Una junta policéntrica permite múltiples ejes de rotación y movimiento de traslación: un arco de movimiento. Esta funcionalidad imita el rodamiento y el deslizamiento anatómicos que mejoran la estabilidad del plano coronal.
- La rotación y la traslación policéntricas mejoran el equilibrio, en comparación con la cinemática de un solo eje.
- El movimiento policéntrico del tobillo estabiliza las fuerzas del socket y la articulación causadas por el terreno y el movimiento.
- El equipo de titanio garantiza un desempeño ligero y duradero.

IMPERMEABLE

- El pie monocasco de composite META y el tobillo de titanio Arc tienen un diseño impermeable.

El META Arc ofrece estabilidad, desempeño y valor líderes en su clase.

CONTENIDO DE LA CAJA

- META Arc
- Calceta Spectre
- Instrucciones
- Advertencias al paciente



MATERIALES ADICIONALES NECESARIOS

- Cosmetica Para Sandalias
- Loctite 242 (o equivalente)



Indicaciones de uso

Usuarios de prótesis de extremidades inferiores

K3/K4

Nuevos usuarios de prótesis

Herramienta de rehabilitación

Terapia de marcha

Caminantes comunitarios

Pasto, arena, grava, pendientes, rampas, superficies inclinadas y onduladas

Amantes de la naturaleza

Altura mínima de fabricación 113 mm (4.4 pulg.)

Peso del paciente (peso del usuario más cualquier carga transportada) menos de 166 kg (365 lb)

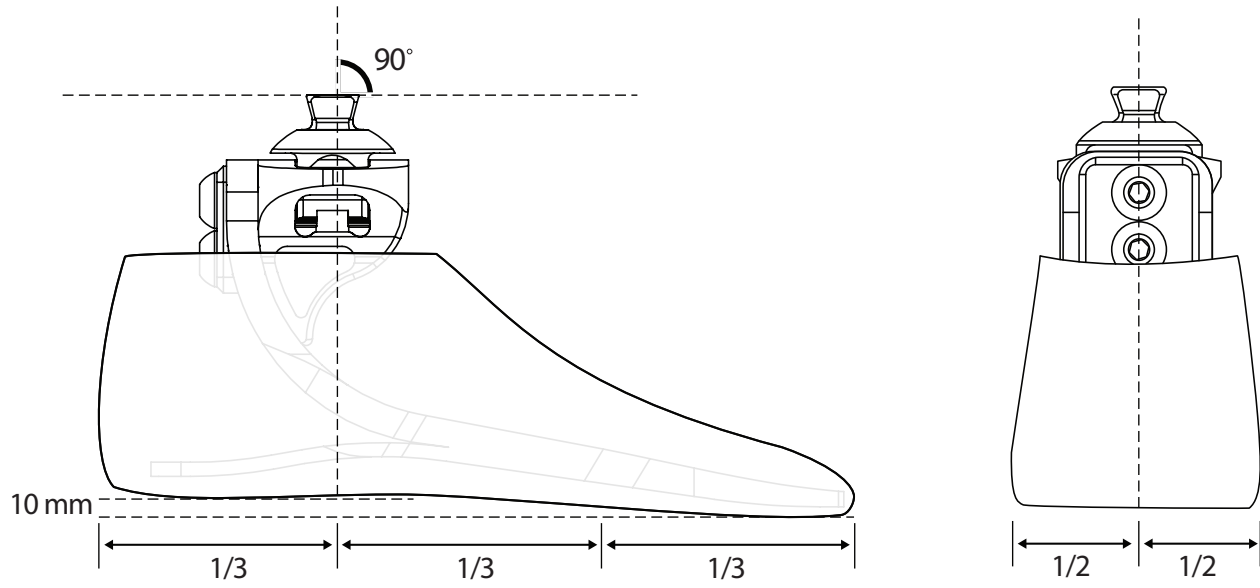
Contraindicaciones de uso

Pacientes que no tienen espacio libre para el META Arc.

El META Arc no está diseñado para uso en deportes de alto impacto.

El rango de movimiento proporcionado por el tobillo puede reducirse si se aplica una cubierta cosmética continua.

Alineación



ALINEACIÓN EN BANCO

Con el conector colocado en los ángulos de flexión y aducción correctos y el pie colocado a la altura del talón adecuada para el zapato del usuario, coloque el pie de tal manera que la línea de peso, cuando se ve desde el plano coronal, divida en dos la pirámide. Cuando se observa desde el plano sagital, la línea de peso debe caer en la intersección del tercio posterior y los 2/3 anteriores del pie.

Durante la alineación estática, la pirámide debe permanecer centrada en el soporte del tobillo. Si el conjunto de la pirámide ya ha comenzado a girar, el usuario no conservará el beneficio total de todo el rango de movimiento disponible en la dirección en la que se ha producido el giro.

La alineación dinámica debe optimizarse mediante el traslado o ajuste de los ángulos relativos del pie del META Arc para permitir una transición suave del talón a la punta.

Especificaciones técnicas

ALTURA DEL TALÓN	ALTURA DEL FABRICACIÓN	TAMAÑOS	LÍMITE DE PESO DEL PACIENTE	RIGIDEZ DE LOS DEDOS	PESO*	COLORES**
10 mm (3/8")	113 mm (4.4")	22 cm a 28 cm	166 kg (365 lbs)	1 a 9	718 g con calcetín y cubierta	Beige, bronceado (tan), marrón medio

* Peso con base en 26 cm cat 5

** Los colores difieren del color tradicional de la cubierta WillowWood

Tabla de selección

Peso (kg)	45-51	52-58	59-67	68-76	77-87	88-99	100-115	116-130	131-147	148-165
Peso (lb)	99-115	116-130	131-150	151-170	171-194	195-221	222-256	257-287	288-324	325-365
ACTIVIDAD BAJA										
Tallas 22-24 cm	1	1	2	3	4	5	-	-	-	-
Tallas 25-27 cm	1	1	2	3	4	5	6	7	8	9
Talla 28 cm	1	1	2	3	4	5	6	7	8	9
ACTIVIDAD MEDIA										
Tallas 22-24 cm	1	2	3	4	5	-	-	-	-	-
Tallas 25-27 cm	1	2	3	4	5	6	7	8	9	-
Talla 28 cm	1	2	3	4	5	6	7	8	9	-
ACTIVIDAD ALTA										
Tallas 22-24 cm	2	3	4	5	-	-	-	-	-	-
Tallas 25-27 cm	2	3	4	5	6	7	8	9	-	-
Talla 28 cm	2	3	4	5	6	7	8	9	-	-

Lista de números de parte

NÚMERO DE PARTE META ARC

MØØ2-XXY-ØZ

XX - Talla (22-28)
Y - Lado (I o D)
Z - Categoría (1-9)

NÚMERO DE PARTE DE LA CUBIERTA DEL PIE

FSØ1-XXY-Z

XX - Talla (22-28)
Y - Lado (I o D)
Z - Color (B, T, or M)

META ARC

Número de parte	Descripción
M002-22I-01	Módulo de pie META Arc 22 cm izquierdo Categoría 1
M002-22I-02	Módulo de pie META Arc 22 cm izquierdo Categoría 2
M002-22I-03	Módulo de pie META Arc 22 cm izquierdo Categoría 3
M002-22I-04	Módulo de pie META Arc 22 cm izquierdo Categoría 4
M002-22I-05	Módulo de pie META Arc 22 cm izquierdo Categoría 5
M002-22D-01	Módulo de pie META Arc 22 cm derecho Categoría 1
M002-22D-02	Módulo de pie META Arc 22 cm derecho Categoría 2
M002-22D-03	Módulo de pie META Arc 22 cm derecho Categoría 3
M002-22D-04	Módulo de pie META Arc 22 cm derecho Categoría 4
M002-22D-05	Módulo de pie META Arc 22 cm derecho Categoría 5
M002-23I-01	Módulo de pie META Arc 23 cm izquierdo Categoría 1
M002-23I-02	Módulo de pie META Arc 23 cm izquierdo Categoría 2
M002-23I-03	Módulo de pie META Arc 23 cm izquierdo Categoría 3
M002-23I-04	Módulo de pie META Arc 23 cm izquierdo Categoría 4
M002-23I-05	Módulo de pie META Arc 23 cm izquierdo Categoría 5
M002-23D-01	Módulo de pie META Arc 23 cm derecho Categoría 1
M002-23D-02	Módulo de pie META Arc 23 cm derecho Categoría 2
M002-23D-03	Módulo de pie META Arc 23 cm derecho Categoría 3
M002-23D-04	Módulo de pie META Arc 23 cm derecho Categoría 4
M002-23D-05	Módulo de pie META Arc 23 cm derecho Categoría 5
M002-24I-01	Módulo de pie META Arc 24 cm izquierdo Categoría 1
M002-24I-02	Módulo de pie META Arc 24 cm izquierdo Categoría 2
M002-24I-03	Módulo de pie META Arc 24 cm izquierdo Categoría 3
M002-24I-04	Módulo de pie META Arc 24 cm izquierdo Categoría 4
M002-24I-05	Módulo de pie META Arc 24 cm izquierdo Categoría 5
M002-24D-01	Módulo de pie META Arc 24 cm derecho Categoría 1
M002-24D-02	Módulo de pie META Arc 24 cm derecho Categoría 2
M002-24D-03	Módulo de pie META Arc 24 cm derecho Categoría 3
M002-24D-04	Módulo de pie META Arc 24 cm derecho Categoría 4
M002-24D-05	Módulo de pie META Arc 24 cm derecho Categoría 5

CUBIERTA DEL PIE

Número de parte	Descripción
FS01-22IB	Cubierta del pie con dedo separado para sandalia 22 cm izquierdo beige
FS01-22IT	Cubierta del pie con dedo separado para sandalia 22 cm izquierdo bronceado (tan)
FS01-22IM	Cubierta del pie con dedo separado para sandalia 22 cm izquierdo marrón medio
FS01-22DB	Cubierta del pie con dedo separado para sandalia 22 cm derecho beige
FS01-22DT	Cubierta del pie con dedo separado para sandalia 22 cm derecho bronceado (tan)
FS01-22DM	Cubierta del pie con dedo separado para sandalia 22 cm derecho marrón medio
FS01-23IB	Cubierta del pie con dedo separado para sandalia 23 cm izquierdo beige
FS01-23IT	Cubierta del pie con dedo separado para sandalia 23 cm izquierdo bronceado (tan)
FS01-23IM	Cubierta del pie con dedo separado para sandalia 23 cm izquierdo marrón medio
FS01-23DB	Cubierta del pie con dedo separado para sandalia 23 cm derecho beige
FS01-23DT	Cubierta del pie con dedo separado para sandalia 23 cm derecho bronceado (tan)
FS01-23DM	Cubierta del pie con dedo separado para sandalia 23 cm derecho marrón medio
FS01-24IB	Cubierta del pie con dedo separado para sandalia 24 cm izquierdo beige
FS01-24IT	Cubierta del pie con dedo separado para sandalia 24 cm izquierdo bronceado (tan)
FS01-24IM	Cubierta del pie con dedo separado para sandalia 24 cm izquierdo marrón medio
FS01-24DB	Cubierta del pie con dedo separado para sandalia 24 cm derecho beige
FS01-24DT	Cubierta del pie con dedo separado para sandalia 24 cm derecho bronceado (tan)
FS01-24DM	Cubierta del pie con dedo separado para sandalia 24 cm derecho marrón medio

(Continúa en la página siguiente)

Lista de números de parte (Continuada)

META ARC	
Número de parte	Descripción
M002-25I-01	Módulo de pie META Arc 25 cm izquierdo Categoría 1
M002-25I-02	Módulo de pie META Arc 25 cm izquierdo Categoría 2
M002-25I-03	Módulo de pie META Arc 25 cm izquierdo Categoría 3
M002-25I-04	Módulo de pie META Arc 25 cm izquierdo Categoría 4
M002-25I-05	Módulo de pie META Arc 25 cm izquierdo Categoría 5
M002-25I-06	Módulo de pie META Arc 25 cm izquierdo Categoría 6
M002-25I-07	Módulo de pie META Arc 25 cm izquierdo Categoría 7
M002-25I-08	Módulo de pie META Arc 25 cm izquierdo Categoría 8
M002-25I-09	Módulo de pie META Arc 25 cm izquierdo Categoría 9
M002-25D-01	Módulo de pie META Arc 25 cm derecho Categoría 1
M002-25D-02	Módulo de pie META Arc 25 cm derecho Categoría 2
M002-25D-03	Módulo de pie META Arc 25 cm derecho Categoría 3
M002-25D-04	Módulo de pie META Arc 25 cm derecho Categoría 4
M002-25D-05	Módulo de pie META Arc 25 cm derecho Categoría 5
M002-25D-06	Módulo de pie META Arc 25 cm derecho Categoría 6
M002-25D-07	Módulo de pie META Arc 25 cm derecho Categoría 7
M002-25D-08	Módulo de pie META Arc 25 cm derecho Categoría 8
M002-25D-09	Módulo de pie META Arc 25 cm derecho Categoría 9
M002-26I-01	Módulo de pie META Arc 26 cm izquierdo Categoría 1
M002-26I-02	Módulo de pie META Arc 26 cm izquierdo Categoría 2
M002-26I-03	Módulo de pie META Arc 26 cm izquierdo Categoría 3
M002-26I-04	Módulo de pie META Arc 26 cm izquierdo Categoría 4
M002-26I-05	Módulo de pie META Arc 26 cm izquierdo Categoría 5
M002-26I-06	Módulo de pie META Arc 26 cm izquierdo Categoría 6
M002-26I-07	Módulo de pie META Arc 26 cm izquierdo Categoría 7
M002-26I-08	Módulo de pie META Arc 26 cm izquierdo Categoría 8
M002-26I-09	Módulo de pie META Arc 26 cm izquierdo Categoría 9
M002-26D-01	Módulo de pie META Arc 26 cm derecho Categoría 1
M002-26D-02	Módulo de pie META Arc 26 cm derecho Categoría 2
M002-26D-03	Módulo de pie META Arc 26 cm derecho Categoría 3
M002-26D-04	Módulo de pie META Arc 26 cm derecho Categoría 4
M002-26D-05	Módulo de pie META Arc 26 cm derecho Categoría 5
M002-26D-06	Módulo de pie META Arc 26 cm derecho Categoría 6
M002-26D-07	Módulo de pie META Arc 26 cm derecho Categoría 7
M002-26D-08	Módulo de pie META Arc 26 cm derecho Categoría 8
M002-26D-09	Módulo de pie META Arc 26 cm derecho Categoría 9

CUBIERTA DEL PIE	
Número de parte	Descripción
FS01-25IB	Cubierta del pie con dedo separado para sandalia 25 cm izquierdo beige
FS01-25IT	Cubierta del pie con dedo separado para sandalia 25 cm izquierdo bronceado (tan)
FS01-25IM	Cubierta del pie con dedo separado para sandalia 25 cm izquierdo marrón medio
FS01-25DB	Cubierta del pie con dedo separado para sandalia 25 cm derecho beige
FS01-25DT	Cubierta del pie con dedo separado para sandalia 25 cm derecho bronceado (tan)
FS01-25DM	Cubierta del pie con dedo separado para sandalia 25 cm derecho marrón medio
FS01-26IB	Cubierta del pie con dedo separado para sandalia 26 cm izquierdo beige
FS01-26IT	Cubierta del pie con dedo separado para sandalia 26 cm izquierdo bronceado (tan)
FS01-26IM	Cubierta del pie con dedo separado para sandalia 26 cm izquierdo marrón medio
FS01-26DB	Cubierta del pie con dedo separado para sandalia 26 cm derecho beige
FS01-26DT	Cubierta del pie con dedo separado para sandalia 26 cm derecho bronceado (tan)
FS01-26DM	Cubierta del pie con dedo separado para sandalia 26 cm derecho marrón medio

(Continúa en la página siguiente)

Lista de números de parte (Continuada)

META ARC	
Número de parte	Descripción
M002-27I-01	Módulo de pie META Arc 27 cm izquierdo Categoría 1
M002-27I-02	Módulo de pie META Arc 27 cm izquierdo Categoría 2
M002-27I-03	Módulo de pie META Arc 27 cm izquierdo Categoría 3
M002-27I-04	Módulo de pie META Arc 27 cm izquierdo Categoría 4
M002-27I-05	Módulo de pie META Arc 27 cm izquierdo Categoría 5
M002-27I-06	Módulo de pie META Arc 27 cm izquierdo Categoría 6
M002-27I-07	Módulo de pie META Arc 27 cm izquierdo Categoría 7
M002-27I-08	Módulo de pie META Arc 27 cm izquierdo Categoría 8
M002-27I-09	Módulo de pie META Arc 27 cm izquierdo Categoría 9
M002-27D-01	Módulo de pie META Arc 27 cm derecho Categoría 1
M002-27D-02	Módulo de pie META Arc 27 cm derecho Categoría 2
M002-27D-03	Módulo de pie META Arc 27 cm derecho Categoría 3
M002-27D-04	Módulo de pie META Arc 27 cm derecho Categoría 4
M002-27D-05	Módulo de pie META Arc 27 cm derecho Categoría 5
M002-27D-06	Módulo de pie META Arc 27 cm derecho Categoría 6
M002-27D-07	Módulo de pie META Arc 27 cm derecho Categoría 7
M002-27D-08	Módulo de pie META Arc 27 cm derecho Categoría 8
M002-27D-09	Módulo de pie META Arc 27 cm derecho Categoría 9
M002-28I-01	Módulo de pie META Arc 28 cm izquierdo Categoría 1
M002-28I-02	Módulo de pie META Arc 28 cm izquierdo Categoría 2
M002-28I-03	Módulo de pie META Arc 28 cm izquierdo Categoría 3
M002-28I-04	Módulo de pie META Arc 28 cm izquierdo Categoría 4
M002-28I-05	Módulo de pie META Arc 28 cm izquierdo Categoría 5
M002-28I-06	Módulo de pie META Arc 28 cm izquierdo Categoría 6
M002-28I-07	Módulo de pie META Arc 28 cm izquierdo Categoría 7
M002-28I-08	Módulo de pie META Arc 28 cm izquierdo Categoría 8
M002-28I-09	Módulo de pie META Arc 28 cm izquierdo Categoría 9
M002-28D-01	Módulo de pie META Arc 28 cm derecho Categoría 1
M002-28D-02	Módulo de pie META Arc 28 cm derecho Categoría 2
M002-28D-03	Módulo de pie META Arc 28 cm derecho Categoría 3
M002-28D-04	Módulo de pie META Arc 28 cm derecho Categoría 4
M002-28D-05	Módulo de pie META Arc 28 cm derecho Categoría 5
M002-28D-06	Módulo de pie META Arc 28 cm derecho Categoría 6
M002-28D-07	Módulo de pie META Arc 28 cm derecho Categoría 7
M002-28D-08	Módulo de pie META Arc 28 cm derecho Categoría 8
M002-28D-09	Módulo de pie META Arc 28 cm derecho Categoría 9

CUBIERTA DEL PIE	
Número de parte	Descripción
FS01-27IB	Cubierta del pie con dedo separado para sandalia 27 cm izquierdo beige
FS01-27IT	Cubierta del pie con dedo separado para sandalia 27 cm izquierdo bronceado (tan)
FS01-27IM	Cubierta del pie con dedo separado para sandalia 27 cm izquierdo marrón medio
FS01-27DB	Cubierta del pie con dedo separado para sandalia 27 cm derecho beige
FS01-27DT	Cubierta del pie con dedo separado para sandalia 27 cm derecho bronceado (tan)
FS01-27DM	Cubierta del pie con dedo separado para sandalia 27 cm derecho marrón medio
FS01-28IB	Cubierta del pie con dedo separado para sandalia 28 cm izquierdo beige
FS01-28IT	Cubierta del pie con dedo separado para sandalia 28 cm izquierdo bronceado (tan)
FS01-28IM	Cubierta del pie con dedo separado para sandalia 28 cm izquierdo marrón medio
FS01-28DB	Cubierta del pie con dedo separado para sandalia 28 cm derecho beige
FS01-28DT	Cubierta del pie con dedo separado para sandalia 28 cm derecho bronceado (tan)
FS01-28DM	Cubierta del pie con dedo separado para sandalia 28 cm derecho marrón medio

Mantenimiento y limpieza

La cubierta del pie se puede limpiar con un paño húmedo y jabón corporal.

Si usted expone el pie META Arc a la arena, suciedad, escombros o agua salada:

1. Quite la cubierta del pie y la calceta.
2. Limpie la arena.
3. Limpie con jabón corporal y agua el pie META Arc, la cubierta del pie y la calceta.
4. Deje que se sequen la cubierta del pie y la calceta antes de volver a colocarlas.

Si se observa un exceso de residuos dentro de la unidad de tobillo META Arc, se puede enjuagar con agua dulce o aire comprimido para eliminar los residuos. Puede utilizar la mano para girar la unidad de tobillo mientras se enjuaga con agua dulce o aire comprimido.

La unidad del tobillo no se puede reparar en campo y no hay ningún programa de mantenimiento recomendado.

Advertencias al paciente

Las advertencias al paciente adjuntas le permiten a usted, el protesista, notificar eficazmente a sus pacientes las limitaciones de los componentes de sus prótesis y la necesidad de monitorear sus niveles de peso y actividad. Revise con el paciente las Advertencias en el momento de colocarle una prótesis de pie META Arc. El paciente y el protesista deben posteriormente firmar las Advertencias al paciente, con el fin de reconocer que ambas partes han revisado y entendido su contenido. Entregue una copia firmada al paciente y guarde otra en el archivo del paciente.

Si el peso o el nivel de actividad de un paciente aumenta después de recibir una prótesis de pie META Arc, el paciente debe ponerse en contacto inmediatamente con el protesista para determinar si se necesitan partes de reemplazo. Si un paciente continúa usando una prótesis de pie META Arc después de experimentar un aumento en el peso o el nivel de actividad, el pie podría fallar, lo que puede dar lugar a lesiones graves para el paciente.

Para garantizar que se hayan seleccionado los componentes correctos para cada paciente, el protesista debe utilizar una báscula para pesar al paciente en su consultorio. No debe basarse en la estimación del paciente sobre su propio peso. Indíquelo al paciente que controle su peso semanalmente para asegurarse de que permanezca en un rango apropiado para los componentes protésicos que se están utilizando.

Garantía

La garantía del pie META Arc es de tres años a partir de la fecha de colocación en el paciente. El uso del pie META Arc para amputados cuyo peso corporal modificado sea superior a 166 kg (365 lbs) o que se involucren en actividades extremadamente altas y abusivas va en contra de las recomendaciones de WillowWood y anulará la garantía de tres años. El peso corporal modificado se define como el peso de la persona con amputación más cualquier carga que lleve consigo. Las "actividades extremadamente altas y abusivas" se definen como paracaidismo, karate y judo; las actividades que podrían causar lesiones en los pies naturales de un individuo, y las actividades que exponen la prótesis a corrosivos como agua salada sin un enjuague adecuado después de la exposición.

Descargo de responsabilidad de la garantía

WillowWood garantiza que, en el momento de la entrega, cada producto fabricado tendrá calidad profesional y estará sustancialmente libre de defectos. WILLOWWOOD NO OFRECE NINGUNA OTRA GARANTÍA, IMPLÍCITA O EXPRESA, Y NO OFRECE NINGUNA GARANTÍA DE COMERCIALIZACIÓN O IDONEIDAD PARA UN OBJETIVO EN PARTICULAR. Esta garantía se anulará inmediatamente en el momento en que se combinen nuestros productos con otros materiales o de tal forma que se modifique la naturaleza de nuestros productos. El único remedio es el reemplazo de los productos o el otorgamiento de crédito para los productos. La responsabilidad de WillowWood no excederá el precio de compra del producto. WillowWood no será responsable de ningún daño indirecto, incidental o consecuencial.

Retención de derechos de WillowWood

WillowWood conserva todos los derechos de propiedad intelectual reflejados o incorporados en sus productos físicos, independientemente de la transferencia de los productos físicos a cualquier otra parte o partes.

WillowWood[®]

WillowWood Global LLC
15441 Scioto Darby Road
Mt. Sterling, OH 43143
Phone 740.869.3377 / 800.848.4930
Fax 740.869.4374 www.willowwood.com



Ohio Willow Wood Company B.V. 
Keizersgracht 62/64
1015 CS Amsterdam
The Netherlands
Patent www.willowwood.com/education-and-resources/patents



©WillowWood Global LLC, 2021 PN 2654-A